

Sew & Go Sewing Table

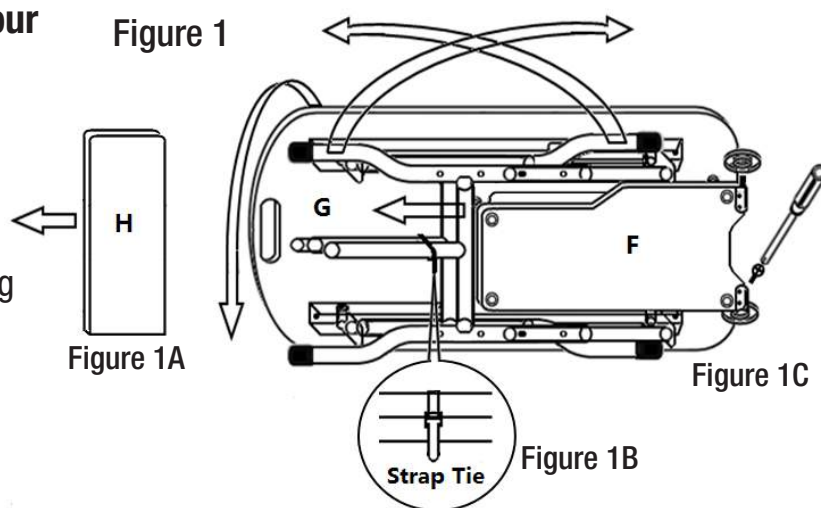
Adjustable Height – Foldable

Instructions

Many thanks for your purchase!
Please find the instructions for setting up your
Sew & Go Table.

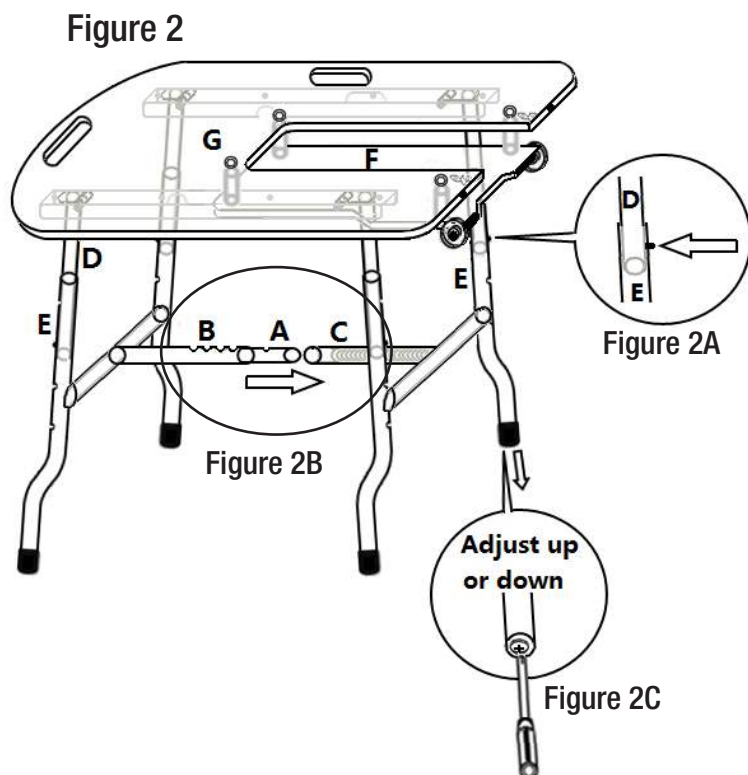
Step #1: Basic Set Up (Figure 1)

- Remove board “H”. (Figure 1A)
- Carefully cut the strap tie used to hold the leg assembly during shipping. (Figure 1B)
- Using a Phillips screwdriver and the screws provided, attach the two wheel sets into the pre-drilled holes on part “F”. (Figure 1C)



Step #2: Leg Height Adjustment if Used at Seated Height (Figure 2)

- Press in the push pin (Figure 2A) and insert part “E” leg assembly into part “D”. (Figure 2A) Repeat on each side.
- Center Tensioning Tube.
- Once the height is selected then take part “A” and insert into part “B”. Once inserted use the push-pin to lock part “A” into part “B”. (Figure 2B) Always extend to the maximum allowable hole. **THIS ADJUSTMENT WILL VARY DEPENDING ON THE HEIGHT OF THE TABLE.**

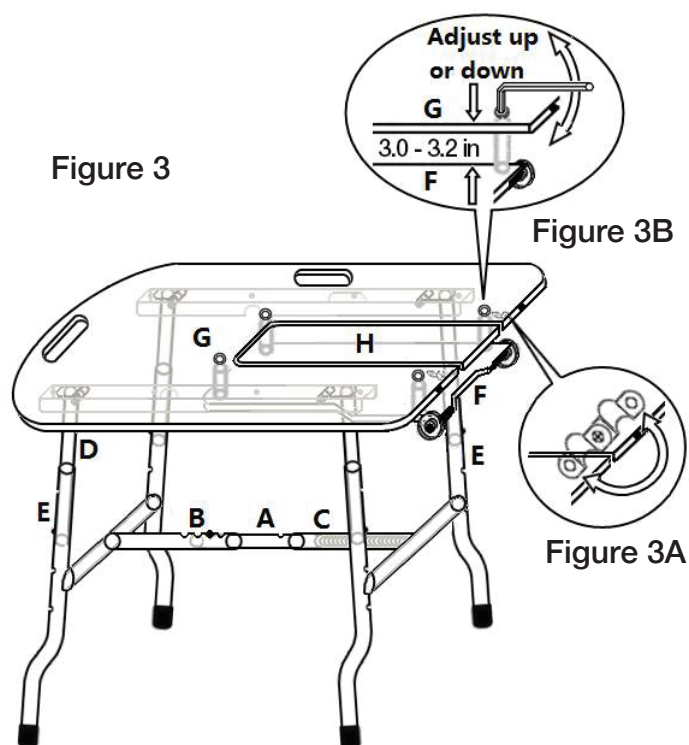


Step #3: Individual Fine Leg Adjustment (Figure 2C)

- Remove the foot cover. Using a screwdriver raise or lower according to floor conditions.

Step #4: Adjusting Machine Bed (Figure 3)

- The height of the machine bed can be adjusted by tightening or loosening the adjustment with the Allen screws on the top of part "G". (Figure 3A)
- At the inside corners of machine bed there are 6 steel brackets under the tabletop part "G". Pull these brackets to hold the insert part "H". (Figure 3B)



If you have any questions you can contact our
helpline via email
sullivans@sullivansusa.net
or
toll free 800-862-8586.

Safety:

This table is not a toy – do not let children play on, under or around it. Do not place more than 30 pounds on the table. Never rest a hot iron directly on the surface.

Cleaning:

Using a sponge or soft cloth with mild soap. Do not use any abrasive cleaners or pads.

Sullivans USA
4341 Middaugh Ave
Downers Grove, IL 60515

M.T. Sullivans & Co. Pty.Ltd.
40 Parramatta Road Underwood, Brisbane, Queensland Australia

Sullivans Enterprises (N.Z) Ltd.
28 Sir William Ave.
East Tamaki, Auckland New Zealand

Sullivans USA Inc. will replace any missing or defective parts within 30 days of purchase. Fax or email a dated receipt to 630-435-1532, along with your request. This policy does not apply to damages due to shipping. For further assistance, please call 800-862-8586. Some restrictions apply. See website for details.

Sullivans Sew & Go Table Travel Instructions

To keep the Sullivans Sew & Go Table legs secure while traveling, follow these steps.



1. Flip your table over and locate the center bar.



2. Release the table legs using the push pins and rotate the center bar to slide it between your table surface and Part F, the machine bed.



3. Your Sullivans Sew & Go Table is ready for travel.

If you have any questions, you can contact us at
Sullivans@SullivansUSA.net
or
toll free 800-862-8586.



DO NOT RETURN TO THE STORE

**FOR ASSISTANCE WITH MISSING OR REPLACEMENT
PARTS, INSTALLATION, OR INFORMATION**

PLEASE CALL US AT

800.862.8586



www.sullivansusa.net



www.sullivansusa.net

4341 MIDDAGH AVENUE • DOWNERS GROVE, IL 60515 • ORDERS: 800.862.8586 • FAX: 630.435.1532