

SULLIVANS

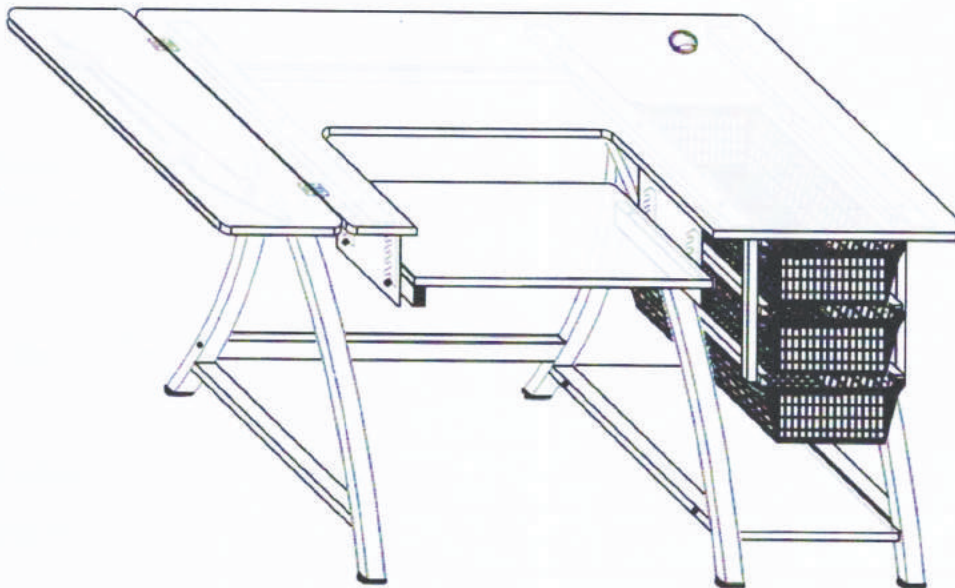
Item No. 39947

**Pro-Stitch Sewing Table**

Instructions

INSPECTED BY

#



***[www.sullivansusa.net](http://www.sullivansusa.net)***

**Sullivans USA**

**4341 Middaugh Avenue, Downers Grove IL, 60515**

**Phone: 630-435-1530 Fax: 630-435-1532**

**Website: <https://www.sullivansusa.net/>**

**Email: [sullivans@sullivansusa.net](mailto:sullivans@sullivansusa.net)**

**Warranty: This table is guaranteed for a period of thirty (30) days from the date of purchase against defects or missing parts.**

Tools needed:  
 Phillips Head screwdriver.  
 Assembly Time:  
 App. 80 minutes

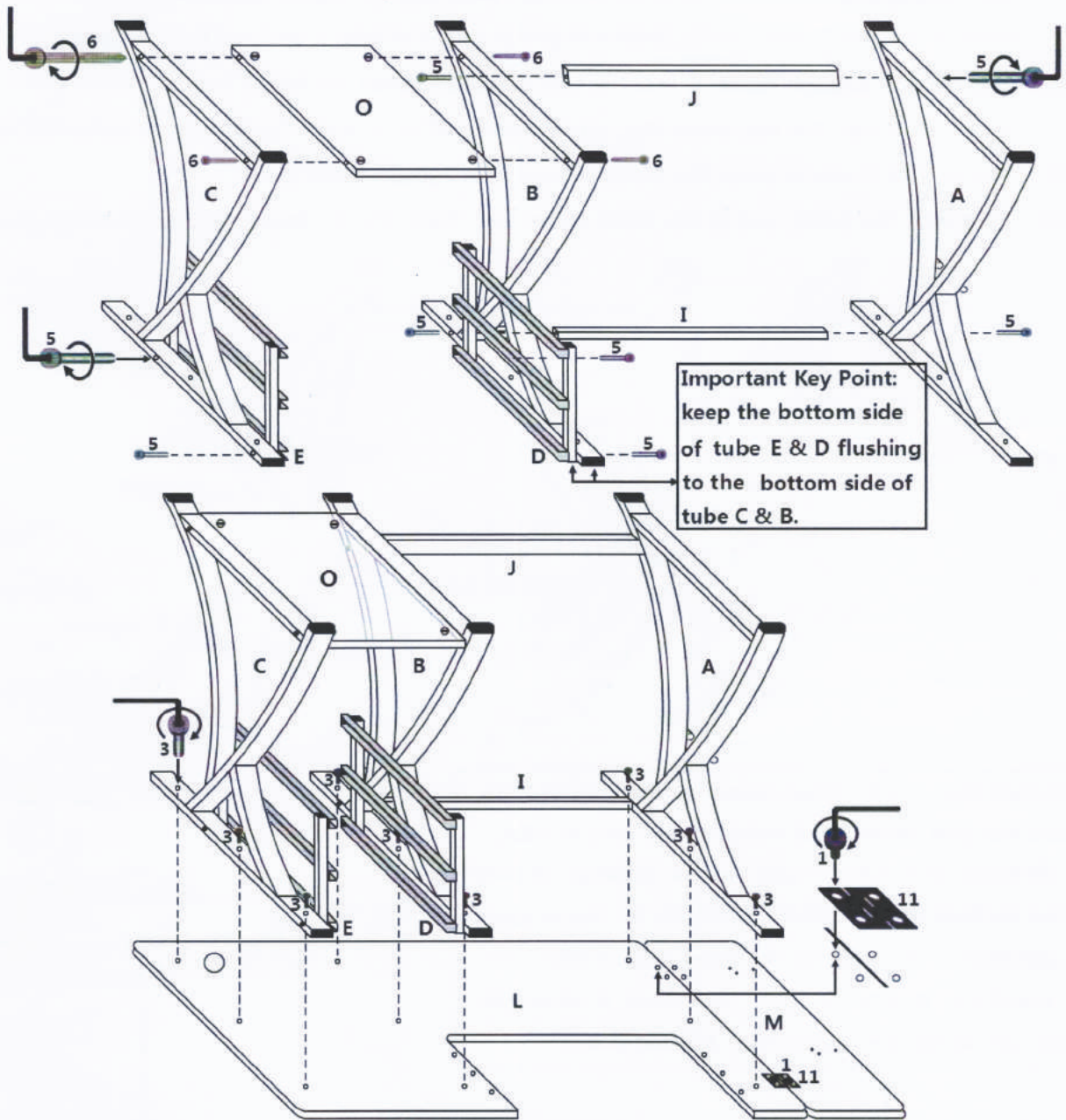


<p><b>A 1PC</b></p> <p>Support Panel</p>		<p><b>B 1PC</b></p> <p>Support Panel</p>		<p><b>C 1PC</b></p> <p>Support Panel</p>		<p><b>D 1PC</b></p> <p>Support Panel</p>		
<p><b>E 1PC</b></p> <p>Support Panel</p>	<p><b>F 1PC</b></p> <p>Adjusting Bracket</p>	<p><b>G 1PC</b></p> <p>Adjusting Bracket</p>	<p><b>H 2PCS</b></p> <p>Metal Tube</p>	<p><b>I 1PC</b></p> <p>Metal Tube</p>	<p><b>J 1PC</b></p> <p>Metal Tube</p>			
<p><b>K 1PC</b></p> <p>Steel Wire</p>	<p><b>L 1PC</b></p> <p>Table Top</p>		<p><b>M 1PC</b></p> <p>Table Top</p>		<p><b>N 1PC</b></p> <p>Bottom Panel</p>			
<p><b>O 1PC</b></p> <p>Bottom Panel</p>	<p><b>P 3 PCS</b></p> <p>Baskets</p>	<p>① 8 PCS</p> <p>6*10 Screws</p>	<p>② 4 PCS</p> <p>8*20 Screws</p>	<p>③ 9 PCS</p> <p>6*28 Screws</p>	<p>④ 4 PCS</p> <p>6*48 Screws</p>	<p>⑤ 8 PCS</p> <p>6*55 Screws</p>	<p>⑥ 4 PCS</p> <p>5*75 Screws</p>	<p>⑦ 6 PCS</p> <p>3.5*30 Screws</p>
<p>⑧ 6 PCS</p> <p>6*10 Screws</p>	<p>⑨ 1 PC</p> <p>Cable Cover</p>	<p>⑩ 2 PCS</p> <p>Fixing Block</p>	<p>⑪ 2 PCS</p> <p>Hinges</p>	<p>⑫ 1 PC</p> <p>Allen Key</p>				

Step 1A, Use part #6 Screws to screw the Bottom Panel O onto Support Panel C & B.

Step 1B, Use part #5 Screws to screw the Metal Tube J & I onto the Support Panel A & B.

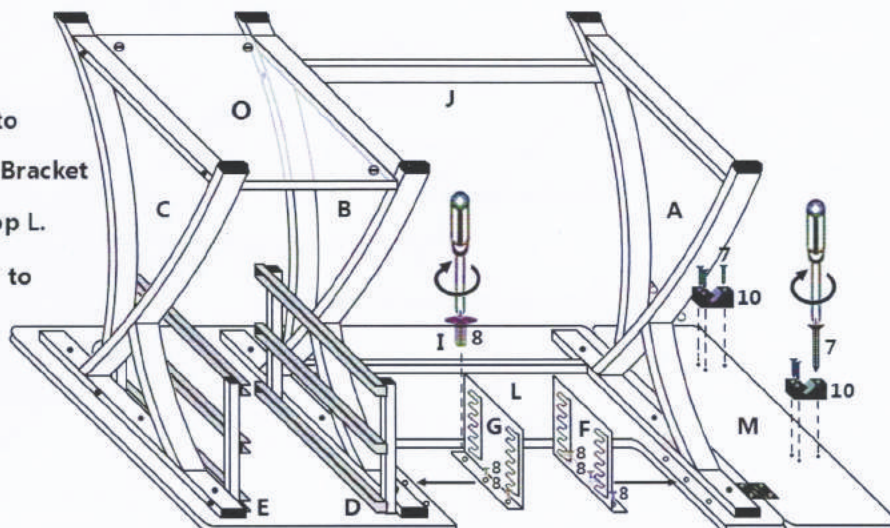
Step 1C, Use part #5 Screws to screw the Metal Tube E & D onto the Support Panel C and B, keep the bottom side of tube E & D flushing to the bottom side of tube C & B.



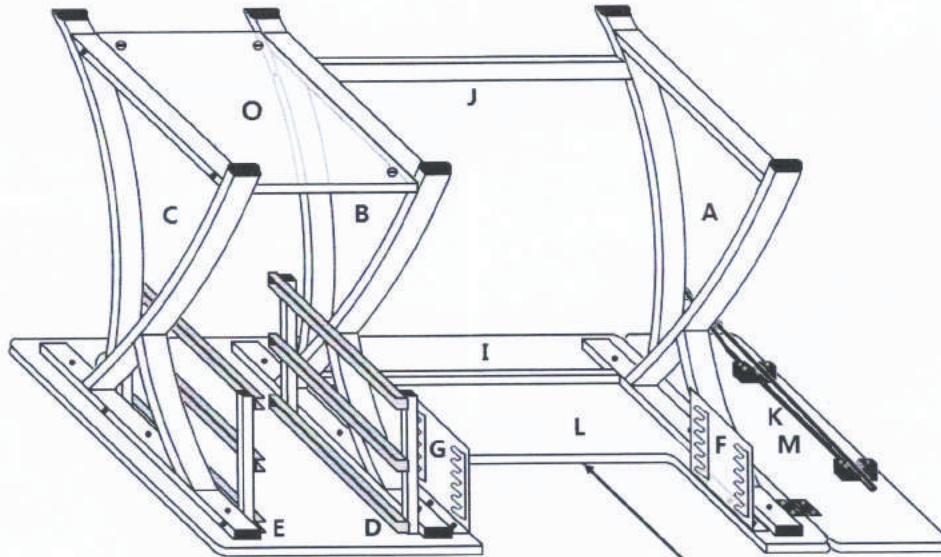
Step 2A, Use part #1 Screw to screw the part #11 Hinges onto Table Top L & M, use part #3 Screws to screw Panel A, B & C onto Table Top L.

Step 2B, Use part #8 Screws to screw the Adjusting Bracket G & F onto Table Top L.

Step 2C, Use part #7 Screws to screw the part #10 Fixing Blocks onto Table Top M.



- Step 3A,** Insert the Steel Wire K into the tube of Support Panel A. Note: If you want to open the Table Top M, use index fingers and middle fingers to grasp the part #10 Fixing Blocks, use thumb to press the Steel Wire K into the slot of the Fixing Block, or use palm to pat the Steel Wire K into the slot of the Fixing Block. If you want to lay down the Table Top M, using thumbs to press on the Fixing Blocks, using index fingers and middle fingers to grasp the Steel Wire K and pull out the Steel Wire K.
- Step 3B,** Lay flat the Bottom Panel N, use part #2 Screw to screw the Metal Tube H with Adjusting Bracket F and G, Note: Do not screw the screws too tight, otherwise it is not easy to adjust the height.
- Step 3C,** Use part #4 Screw to screw the Metal Tube H with Bottom Panel N.
- Step 3D,** Turn over the table, put in the cable cover into Table Top L, insert the Baskets P into the sliders. OK.



**Important Key Point:** When assemble the part H tube, please see that there are 2 holes on the part H tube, the direction of H tube should be: the distance of holes to the Bottom Panel (Flatbed) SHOULD BE bigger than the distance of the holes to the other side of tube, Do not screw the screws to tight, just screw it when the screw nut tough the Adjustable Bracket G & F.

